

## PIEZO ATOMISER

### DATA SHEET

CIMI's Atomizers include sandwich and single chip types. It can ultrasonically vibrate and atomize liquid when electrical signal with proper frequency applied.



### FEATURES

1. Low noise.
2. Low power consumption.
3. Super fine mist particles.
4. Long operation life.

### SCOPE OF APPLICATIONS

1. Industrial humidification
2. Home humidification
3. Car fragrance
4. Skin care
5. Disinfection

### CODE SYMBOLS

AST	135	-	14.0	C/D	-	1	(8)
							Hole size
							Series No.
							Separative sign
							C: Sandwich D: Single chip
							External dimensions in mm
							Separative sign
							Resonance frequency
							AST: Alloy Mesh SST: SS Mesh

**PIEZO ATOMISER**

**SPECIFICATIONS**

For Stainless Mesh Sandwich Atomizers					
Model	Dimensions OD×ID×PA×T* [mm]	Frequency [kHz] ±10	Impedance [ohm]	Capacitance [nF] ±30%	Atomization quantity* [ml/min] ±30%
<b>SST135-14.0C-1(6)</b>	14×6.5×4×0.6	135	< 100	3.5	0.35
<b>SST135-14.0C-1(8)</b>	14×6.5×4×0.6	135	< 100	3.5	0.70
<b>SST135-14.0C-1(10)</b>	14×6.5×4×0.6	135	< 100	3.5	1.15
<b>SST135-14.0C-1(12)</b>	14×6.5×4×0.6	135	< 100	3.5	1.75
<b>SST113-16.0C-1(6)</b>	16×7.8×6×0.6	113	< 100	4.0	0.47
<b>SST113-16.0C-1(8)</b>	16×7.8×6×0.6	113	< 100	4.0	1.60
<b>SST113-16.0C-1(10)</b>	16×7.8×6×0.6	113	< 100	4.0	2.60
<b>SST113-16.0C-1(12)</b>	16×7.8×6×0.6	113	< 100	4.0	3.50
<b>SST113-20.0C-1(6)</b>	20×11.8×8×0.6	113	< 100	6.5	0.96
<b>SST113-20.0C-1(8)</b>	20×11.8×8×0.6	113	< 100	6.5	2.75
<b>SST113-20.0C-1(10)</b>	20×11.8×8×0.6	113	< 100	6.5	4.30
<b>SST113-20.0C-1(12)</b>	20×11.8×8×0.6	113	< 100	6.5	6.95

For Stainless Mesh Single Chip Atomizers					
Model	Dimensions OD×ID×PA×T* [mm]	Frequency [kHz] ±5	Impedance [ohm]	Capacitance [nF] ±30%	Atomization quantity* [ml/min] ±30%
<b>SST113-16.0D-1(6)</b>	16×7.8×5×0.75	113	< 100	4.5	2.50
<b>SST113-16.0D-1(8)</b>	16×7.8×5×0.75	113	< 100	4.5	4.50
<b>SST113-16.0D-1(10)</b>	16×7.8×5×0.75	113	< 100	4.5	7.00
<b>SST113-16.0D-1(12)</b>	16×7.8×5×0.75	113	< 100	4.5	8.50

PA\*: Perforated area

Atomization quantity\* : The experimental liquid is water.

**\* Sandwich Atomizer**

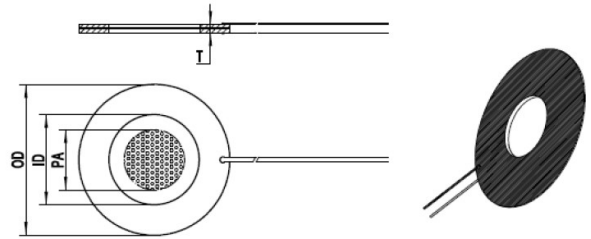
The side with black wire inhaling liquid

Driving voltage 30~50Vp-p

Sine signal with frequency correspond to the atomiser

Operating temperature range -10~45°C

Environment humidity≤75%



**\* Single chip Atomizer**

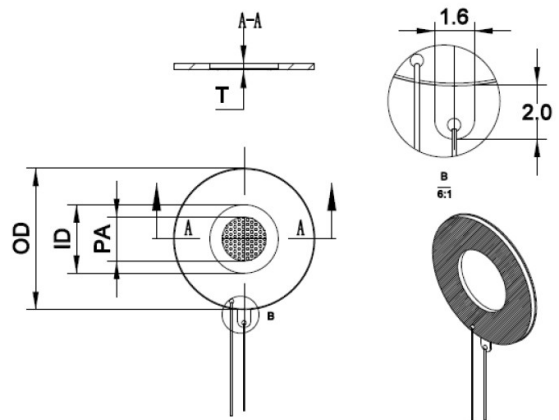
The sides of metal mesh inhaling liquid

Driving voltage 50~70Vp-p

Sine signal with frequency correspond to the atomiser

Operating temperature range -10~45°C

Environment humidity≤75%



***Information in this catalog is subject to change without notice.***