

PIEZO ATOMIZER

DATA SHEET

Piezo Direct's atomizers include sandwich and single chip types. It can ultrasonically vibrate and atomize liquid when electrical signal with proper frequency applied.



FEATURES

1. Low noise.
2. Low power consumption.
3. Super fine mist particles.
4. Long operation life.

SCOPE OF APPLICATIONS

1. Industrial humidification
2. Home humidification
3. Car fragrance
4. Skin care
5. Disinfection

CODE SYMBOLS

AST	135	-	14.0	C/D	-	1	(8)
-----	-----	---	------	-----	---	---	-----

Hole size
 Series No.
 Separative sign
 C: Sandwich D: Single chip
 External dimensions in mm
 Separative sign
 Resonance frequency
 AST: Alloy Mesh SST: SS Mesh

PIEZO ATOMISER
SPECIFICATIONS

For Stainless Mesh Sandwich Atomizers					
Model	Dimensions OD×ID×PA×T* [mm]	Frequency [kHz] ±10	Impedance [ohm]	Capacitance [nF] ±30%	Atomization quantity* [ml/min] ±30%
SST135-14.0C-1(6)	14×6.5×4×0.6	135	< 100	3.5	0.35
SST135-14.0C-1(8)	14×6.5×4×0.6	135	< 100	3.5	0.70
SST135-14.0C-1(10)	14×6.5×4×0.6	135	< 100	3.5	1.15
SST135-14.0C-1(12)	14×6.5×4×0.6	135	< 100	3.5	1.75
SST113-16.0C-1(6)	16×7.8×6×0.6	113	< 100	4.0	0.47
SST113-16.0C-1(8)	16×7.8×6×0.6	113	< 100	4.0	1.60
SST113-16.0C-1(10)	16×7.8×6×0.6	113	< 100	4.0	2.60
SST113-16.0C-1(12)	16×7.8×6×0.6	113	< 100	4.0	3.50
SST113-20.0C-1(6)	20×11.8×8×0.6	113	< 100	6.5	0.96
SST113-20.0C-1(8)	20×11.8×8×0.6	113	< 100	6.5	2.75
SST113-20.0C-1(10)	20×11.8×8×0.6	113	< 100	6.5	4.30
SST113-20.0C-1(12)	20×11.8×8×0.6	113	< 100	6.5	6.95

For Alloy Mesh Sandwich Atomizers					
Model	Dimensions OD×ID×PA×T* [mm]	Frequency [kHz] ±10	Impedance [ohm]	Capacitance [nF] ±30%	Atomization quantity* [ml/min] ±30%
AST135-14.0C-1(4)	14×6.5×4×0.6	135	< 100	3.5	0.68
AST135-14.0C-1(6)	14×6.5×4×0.6	135	< 100	3.5	1.87
AST135-14.0C-1(8)	14×6.5×4×0.6	135	< 100	3.5	4.90
AST113-16.0C-1(4)	16×7.8×6×0.6	113	< 100	4.0	0.89
AST113-16.0C-1(6)	16×7.8×6×0.6	113	< 100	4.0	3.46
AST113-16.0C-1(8)	16×7.8×6×0.6	113	< 100	4.0	6.87
AST113-20.0C-1(4)	20×11.8×7×0.6	113	< 100	6.5	0.95
AST113-20.0C-1(6)	20×11.8×7×0.6	113	< 100	6.5	3.21
AST113-20.0C-1(8)	20×11.8×7×0.6	113	< 100	6.5	9.83

For Stainless Mesh Single Chip Atomizers					
Model	Dimensions OD×ID×PA×T* [mm]	Frequency [kHz] ±5	Impedance [ohm]	Capacitance [nF] ±30%	Atomization quantity* [ml/min] ±30%
SST113-16.0D-1(6)	16×7.8×5×0.75	113	< 100	4.5	2.50
SST113-16.0D-1(8)	16×7.8×5×0.75	113	< 100	4.5	4.50
SST113-16.0D-1(10)	16×7.8×5×0.75	113	< 100	4.5	7.00
SST113-16.0D-1(12)	16×7.8×5×0.75	113	< 100	4.5	8.50

PA*: Perforated area

Atomization quantity* : The experimental liquid is water.

* Sandwich Atomizer

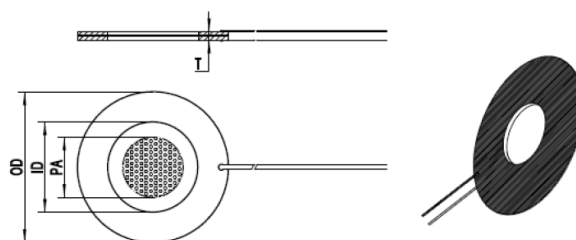
The side with black wire inhaling liquid

Driving voltage 30~50Vp-p

Sine signal with frequency correspond to the atomiser

Operating temperature range -10~45°C

Environment humidity≤75%



* Single chip Atomizer

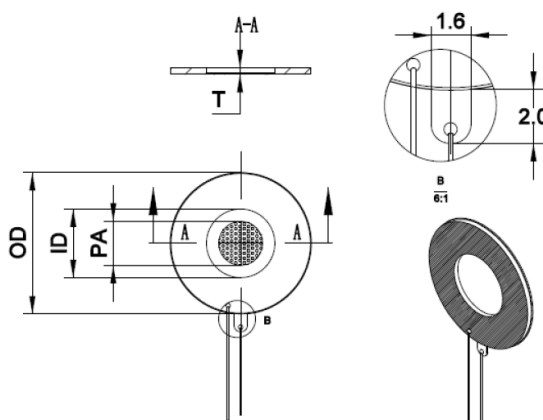
The sides of metal mesh inhaling liquid

Driving voltage 50~70Vp-p

Sine signal with frequency correspond to the atomiser

Operating temperature range -10~45°C

Environment humidity≤75%



Information in this catalog is subject to change without notice.